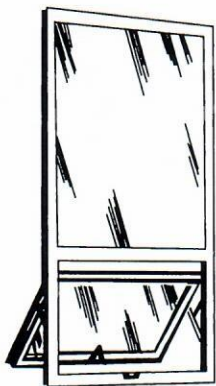


LCM INDUSTRIES



Fixed Lite
Over Projected



Projected In



Projected Out



Casement

Standard Features:

Cam Handle Locks
1", 1/4", 9/16" Glazing
Heavy Duty 4-Bar Hinge
Heavy Duty Weather-Stripping
Self Mulling Units

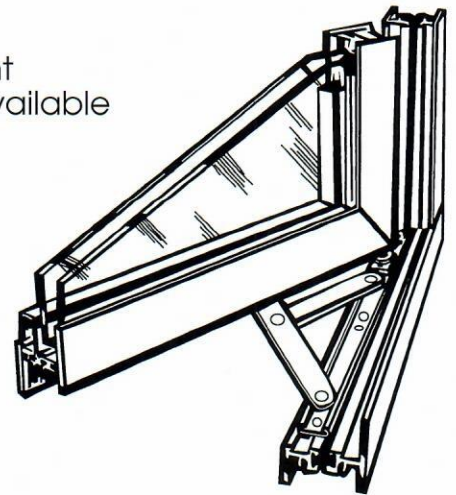
Standard Finishes:

Clear Anodized
Bronze Anodized
Standard White Paint
All Custom Colors Available

Optional:

Egress Hinges
Janitorial Locks
Push Bars
Roto Operators
Screens
Receptor
Snap Trim
True Divided Lites
Installation Clips

HC80



Liberty Glass and Metal Industries

339 Riverside Drive

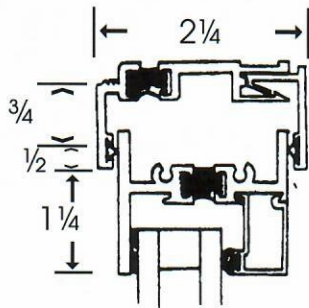
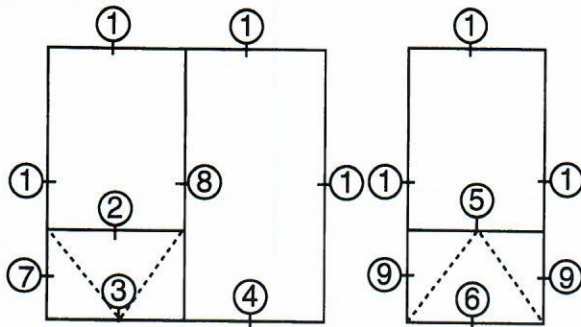
North Grosvenordale, CT 06255

1-800-843-2031 • Fax: 860-923-9662

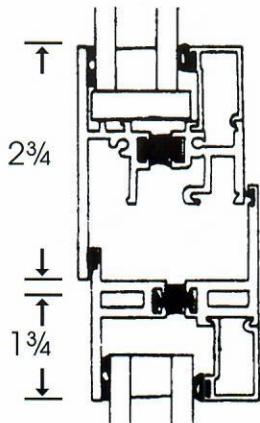
www.lqminc.net

2" THERMAL GLAZING SYSTEM

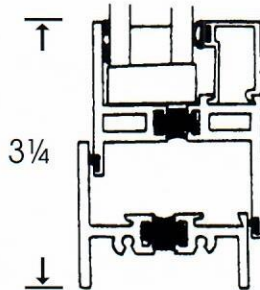
Scale 1/2 = full



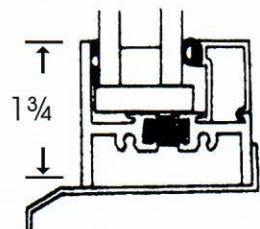
1



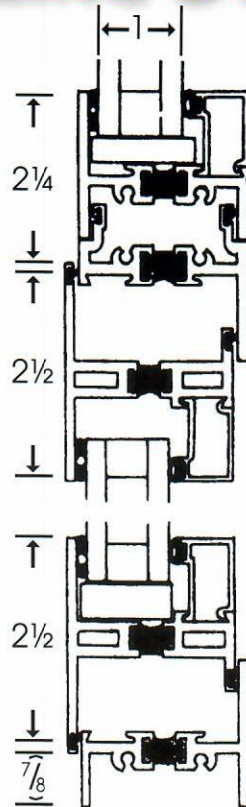
2



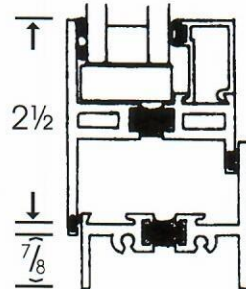
3



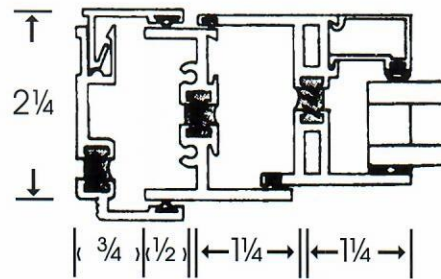
4



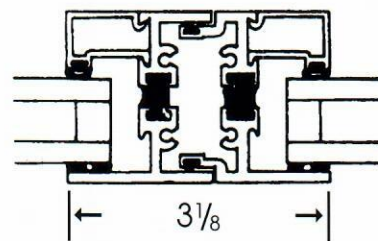
5



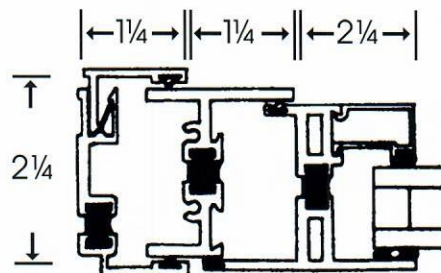
6



7



8



9