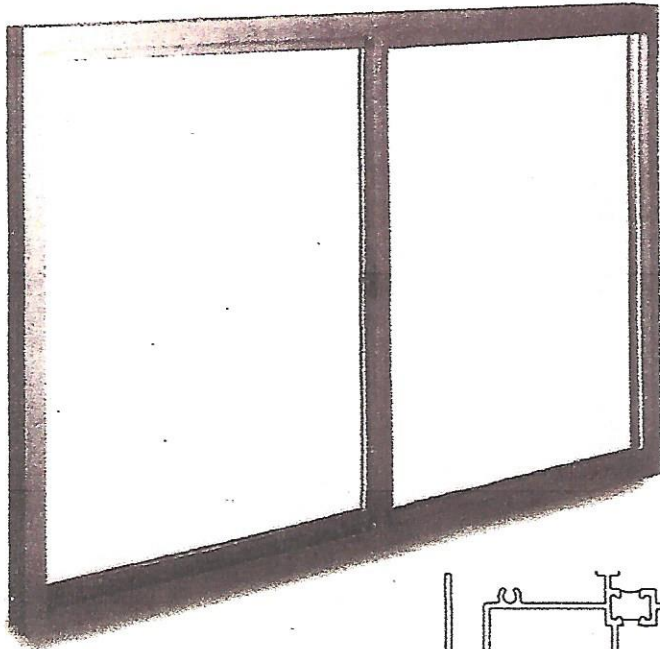


SLIDER

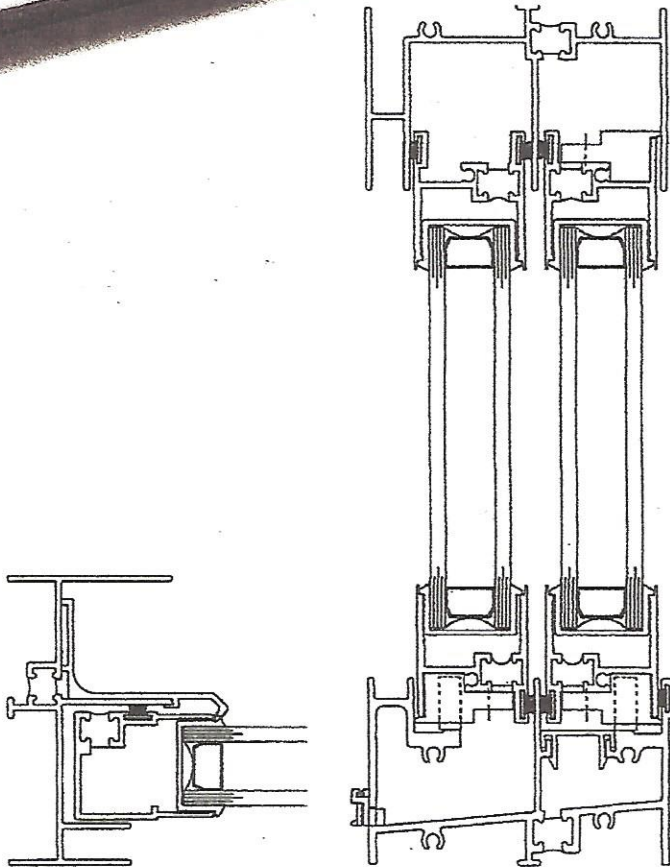


SERIES 4 8 0 0

Specifications

- 3 1/4" Main Frame
- Insulated Glass Units
- Thermally Broken
- Marine Glazing
- Exterior Flange Available
- XX, XOX, OXO Configurations

The Series 4800 has been the sliding window of choice for architects and specifiers for over 10 years. Developed for new construction, the 4800 series has evolved into a multi-purpose window suited for retrofit and garden apartments as well as high rise construction



Liberty Glass & Metal Ind.

339 Riverside Dr
North Grosvenordale, CT 06255
800-843-2031
Fax: 860-923-9662



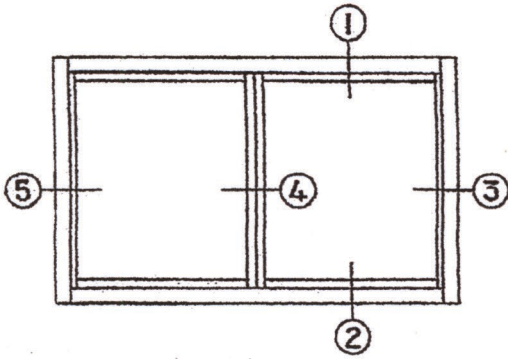
Liberty Glass & Metal Ind.

339 Riverside Dr
 North Grosvenordale, CT 06255
 800-843-2031
 Fax: 860-923-9662

**4800 SERIES SLIDER
 NOT TO SCALE**

SPECIFICATIONS

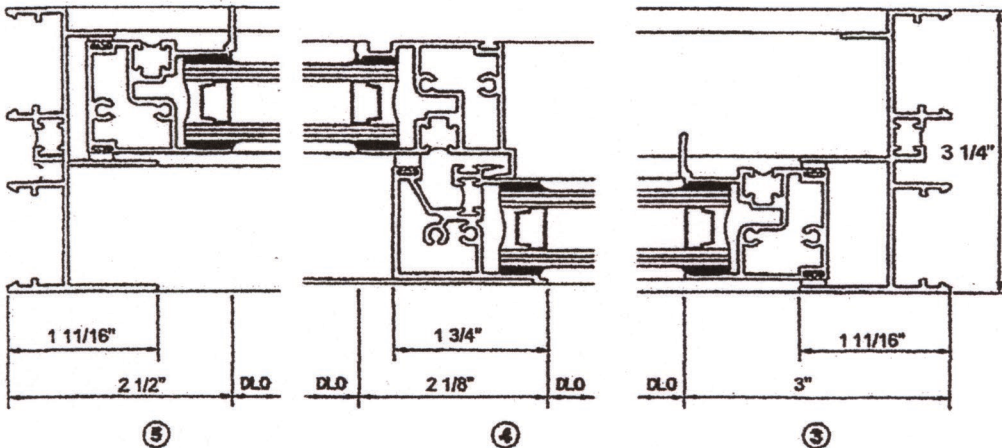
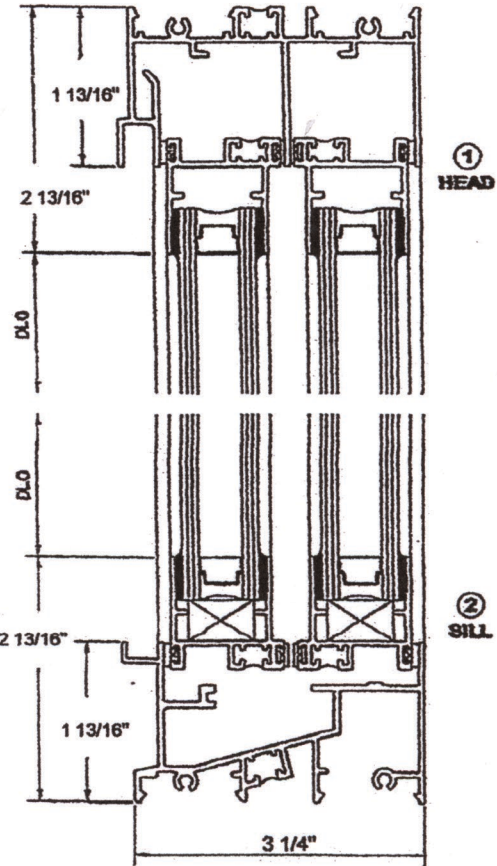
- *3 1/4" MAIN FRAME
- *THERMALLY BROKEN
- *MARINE GLAZING EXTERIOR FLANGE AVAILABLE



WINDOW CONFIGURATIONS: XX, XO, OXO (OTHER CONFIGURATIONS AVAILABLE)

WINDOW ELEVATION

SCALE: $\frac{3}{8}" = 1'-0"$



WINDOW DETAILS
 SCALE: 6" = 1'-0"